

(;7,1*8,6+(5 & \$%,1(7 5\$1*(

)LUH H[WLQJXLVKHU FSDQLSHUR SP DGR HRE\ LQMHWLRQ PRXOGLQJ

)LUHHVLDL MURUGLWLFWRPSRMGRI RUORODPSLDL

DLODEOHLWHPDGDODPSLD

SULD ZWVWDFRHW/SRLWV

Q SHFWLRQRZ RSWLRDQVDOIRUDEHWWHU DWHUHLWDEH

ORQZWBGMXWDEOHWUDSIRU
HWLWLVVPP

ORQGOHLWDEOHIRUSDGORFN

QHUDDODDLDL/GXWDG DWHULOHV

BLRUFHGWUXFWXUHRWRHURHROLGLWGGXUDELOLW

DEHOZWKXWRPLHG
ORR

BLRUF HGOOILSRLWRUDDIHPRXWL

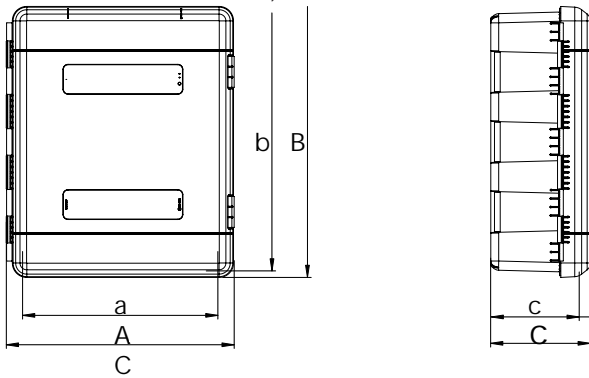
SWLRDOFOLGHUORFN

SWLRDONHRRPSDUWPHWLVHWDWHGLWRWIKOLGXDO

ORQZWBGMXWDEOHM OFURWUDS
IRUHWLWLVVPP

RLWLFRSWLPLDWRLOVKSURGXFWFDEHGHOLMUHGGLDWVOHGDG

WDFNHGLSLOHVDWDGHDWRDMPEOH



)ORRUPRXWLWLW

| CODE | AxBxC EXTERNAL DIMENSIONS (mm) | axbxc INTERNAL DIMENSIONS (mm) | WEIGHT (kg) | Ø EXTINGUISHER DIAMETER (mm) | INSPECTION WINDOW |
|------|--------------------------------------|--------------------------------------|----------------|---------------------------------|----------------------|
| | x x | x x | , | Ø x x OR x x | (|
| | x x | x x | , | Ø x x OR x x |) |
| | x x | x x | , | Ø x x OR x x | (|